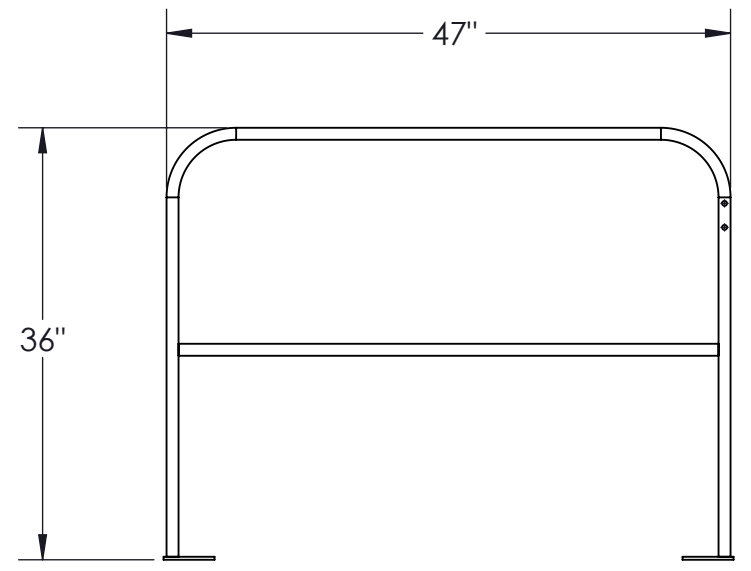
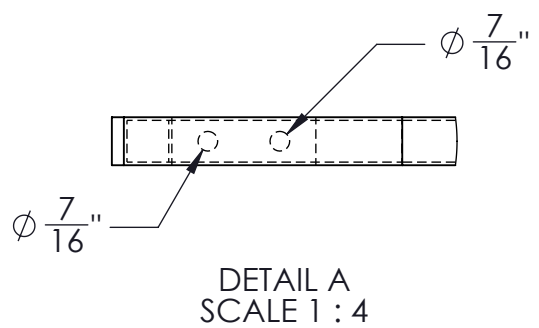
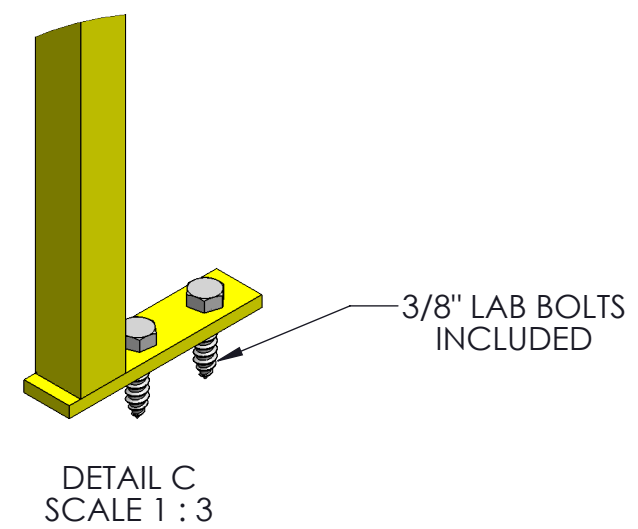
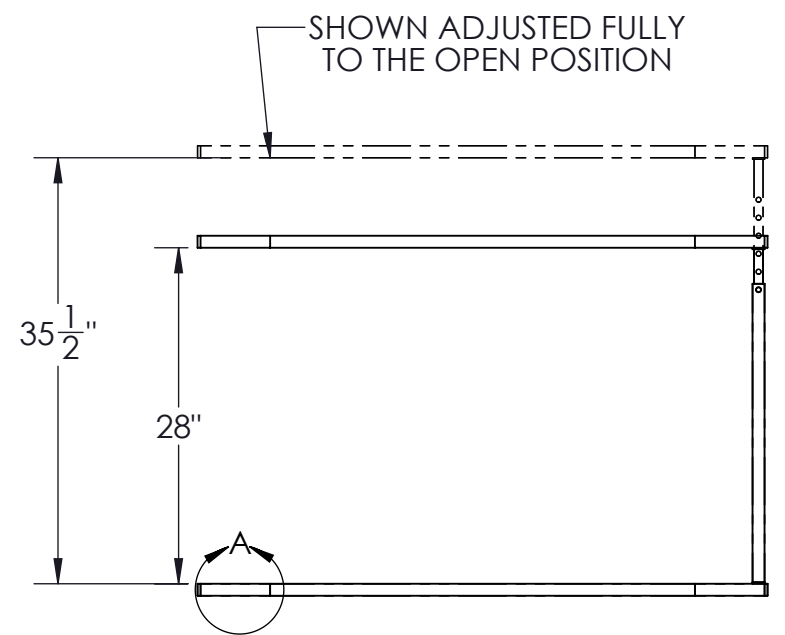
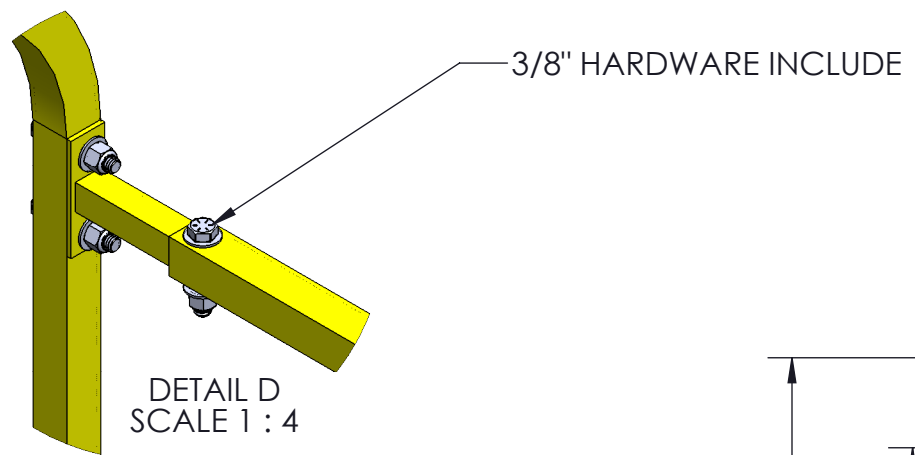
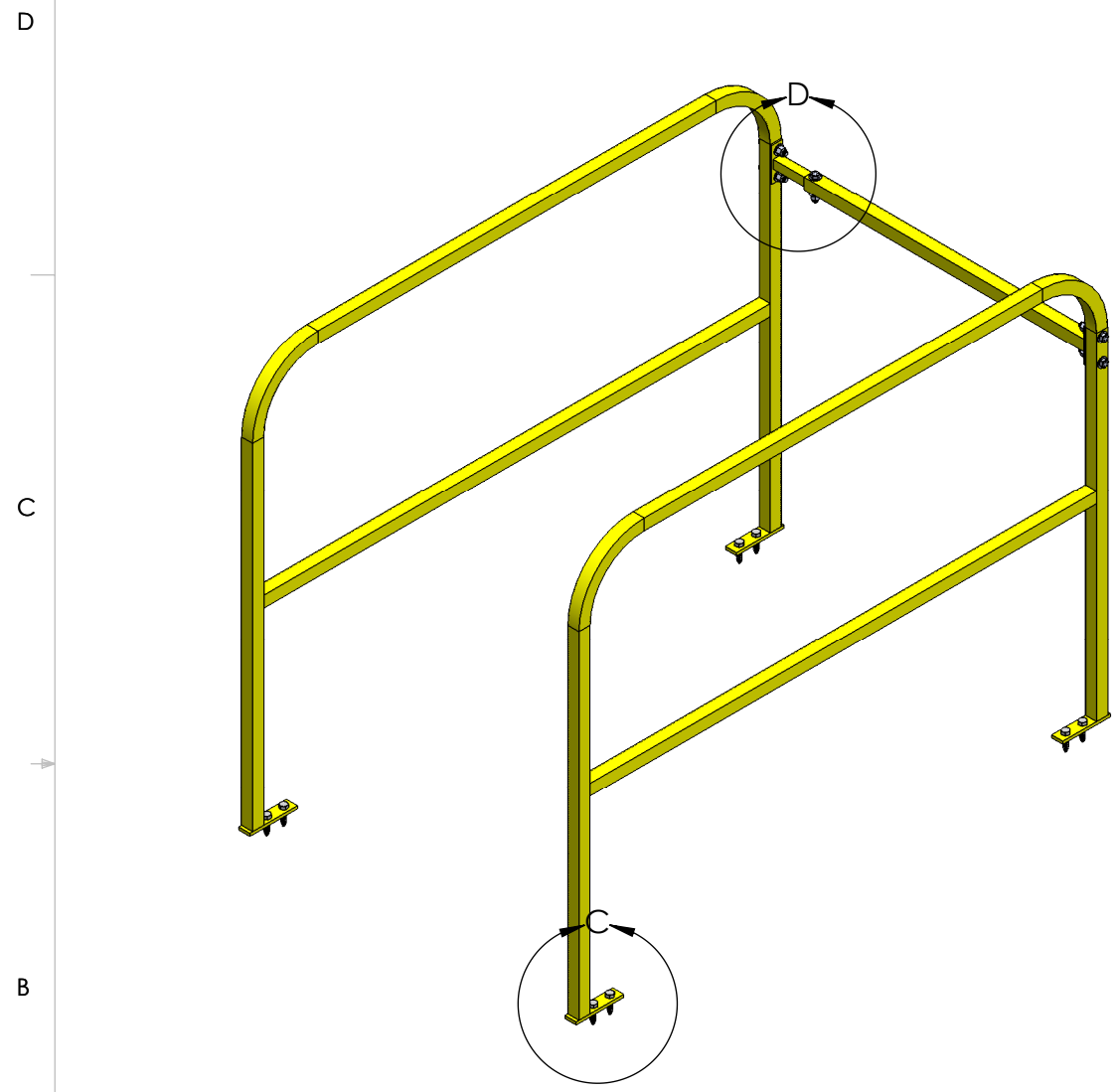


8 7 6 5 4 3 2 1

PROPRIETARY & CONFIDENTIAL
 THIS DRAWING IS DISCLOSED IN CONFIDENCE AND IS PROPRIETARY TO SAFE-T-FAB, A DIVISION OF INDUSTRIAL PRODUCTS LIMITED, LLC. THE INFORMATION CONTAINED WITHIN IS THE PROPERTY OF SAFE-T-FAB AND SHALL NOT BE USED, DISCLOSED TO OTHERS OR REPRODUCED WITHOUT THE EXPRESSED WRITTEN CONSENT OF SAFE-T-FAB & INDUSTRIAL PRODUCTS LIMITED, LLC. THIS NOTICE AND ANY NOTICE SET FORTH WITHIN THE DOCUMENT SHALL APPEAR IN ANY SUCH WHOLE OR PARTIAL REPRODUCTION IF CONSENT IS GIVEN FOR REPRODUCTION OF THIS DOCUMENT IN WHOLE OR IN PART.
 COPYRIGHT SAFE-T-FAB, LLC 2022



- QTY 100 AS SHOWN
- STEEL CONSTRUCTION
- YELLOW POWDER COAT FINISH
- 1" X 16 GAUGE SQUARE TUBING CONSTRUCTION
- 47" LONG SIDE RAILS ARE 36" TALL
- CROSS RAIL ADJUSTS FROM 28" WIDE TO ~36" WIDE WITH BOLTED CONNECTION
- .75" SQUARE TUBE SLIDES IN/OUT FOR ADJUSTMENT
- 1" X .25" FLAT STOCK MOUNTING TABS
- ASSEMBLY HARDWARE INCLUDED
- MOUNTING HARDWARE BY OTHERS DEPENDING ON MOUNT SURFACE

D

CUSTOMER APPROVAL SIGNATURE:				WEIGHT	FINISH	LEAD TIME
APPROVAL DATE:				25.37		TBD
UNLESS OTHERWISE SPECIFIED:				MATERIAL	Plain Carbon Steel	
DIMENSIONS ARE IN INCHES				DESIGNER	G.A.H.	
1 PL +/- .3	2 PL +/- .25	3 PL +/- .250	ANGLES +/- 2°	ENGINEER		



TITLE			DRAWING	
VSALE - Side Rail			VSALE - Side Rail	
PROJECT				
SCALE: 1:24	SIZE B	REV 00	SHEET 1 OF 4	

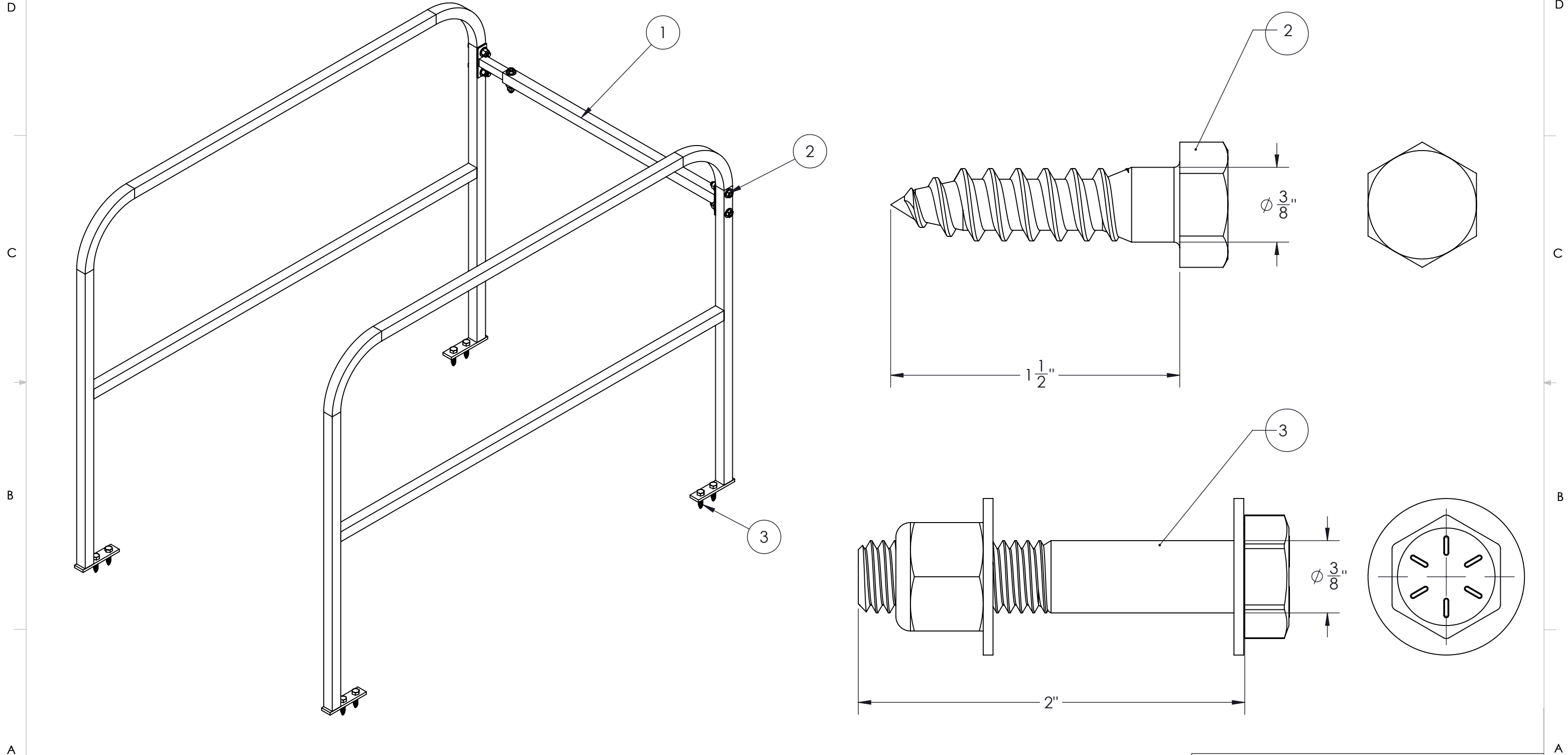
8 7 6 5 4 3 2 1

8 7 6 5 4 3 2 1

PROPRIETARY & CONFIDENTIAL

THIS DRAWING IS DISCLOSED IN CONFIDENCE AND IS PROPRIETARY TO SAFE-T-FAB. THE INFORMATION CONTAINED WITHIN IS THE PROPERTY OF SAFE-T-FAB AND SHALL NOT BE USED, DISCLOSED TO OTHERS OR REPRODUCED WITHOUT THE EXPRESSED WRITTEN CONSENT OF SAFE-T-FAB. THIS NOTICE AND ANY NOTICE SET FORTH WITHIN THE DOCUMENT SHALL APPEAR IN ANY SUCH WHOLE OR PARTIAL REPRODUCTION IF CONSENT IS GIVEN FOR REPRODUCTION OF THIS DOCUMENT IN WHOLE OR IN PART. COPYRIGHT SAFE-T-FAB, LLC 2021

ITEM NO.	PART NUMBER	DESCRIPTION	QTY.
1	VSALG - FRAME	VSALG - WELDMENT	1
2	2in Long Bolt Set 0.375	Grade 8 zinc-plated 3/8"-16 bolt 2" long; with 2 SAE washers and nylon lock nut	5
3	95452A128	Steel Hex Head Screws for Wood	8



CUSTOMER APPROVAL SIGNATURE:				WEIGHT	FINISH	LEAD TIME				
APPROVAL DATE:				25.49	black	TBD				
UNLESS OTHERWISE SPECIFIED: DIMENSIONS ARE IN INCHES				MATERIAL	steel			TITLE		
				DESIGNER	G.A.H.	04/08/2025	Vari-Safe Attic Ladder Guard			
				ENGINEER			DRAWING Vari-Safe Attic Ladder Guard			
1 PL +/- .3	2 PL +/- .25	3 PL +/- .250	ANGLES +/- 2°				PROJECT			
							SCALE: 1:24	SIZE B	REV 00	SHEET 2 OF 4

8 7 6 5 4 3 2 1

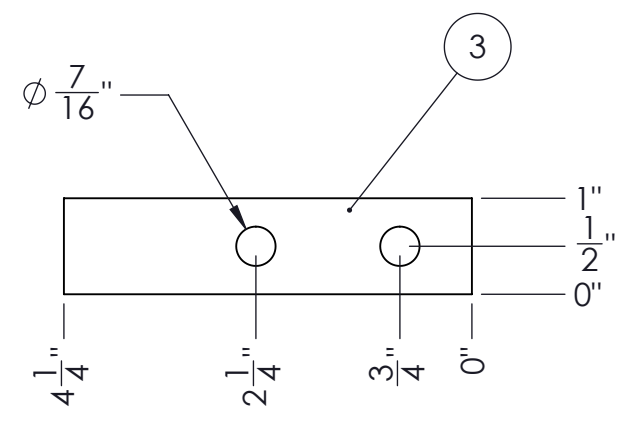
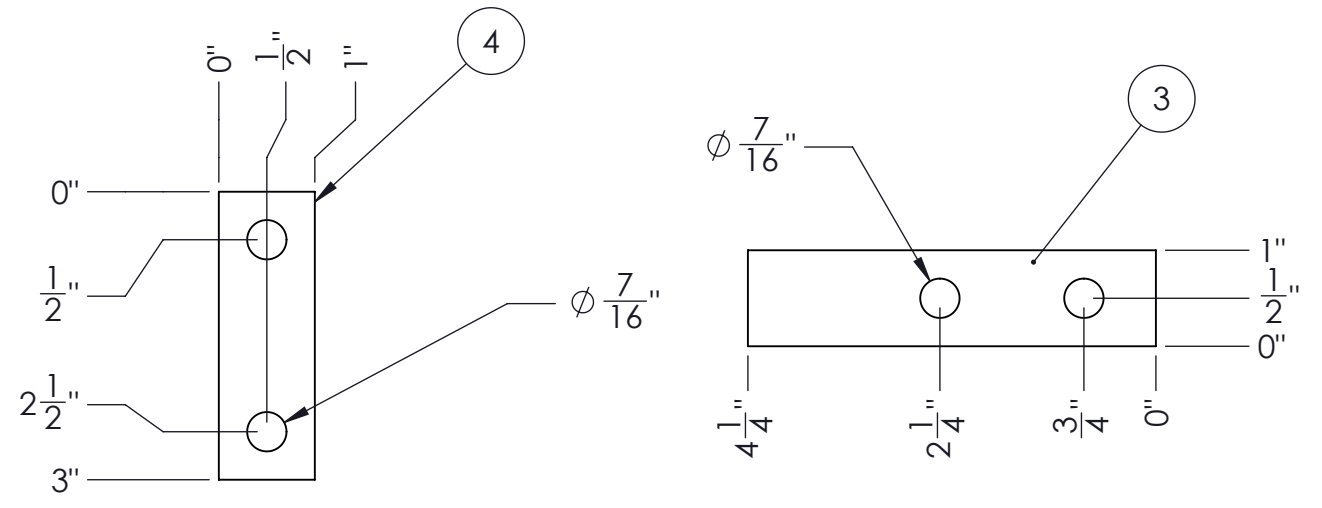
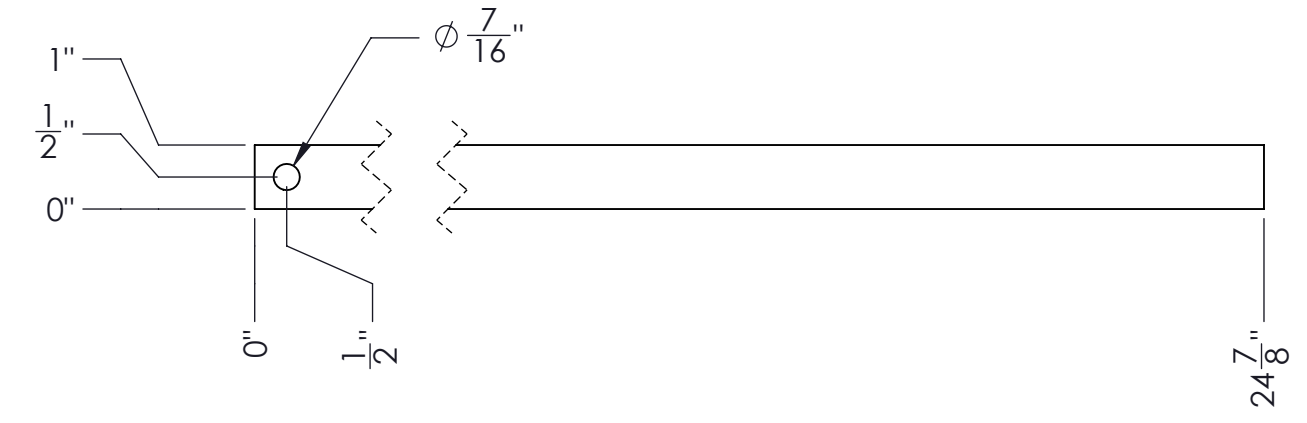
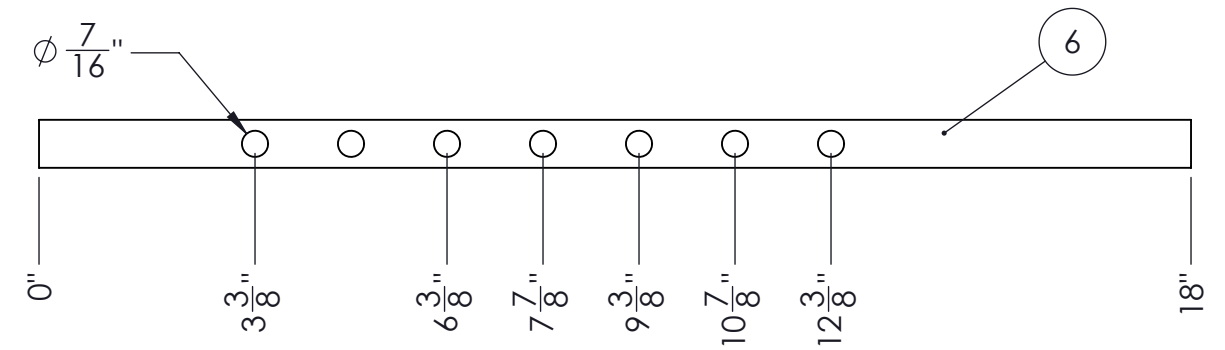
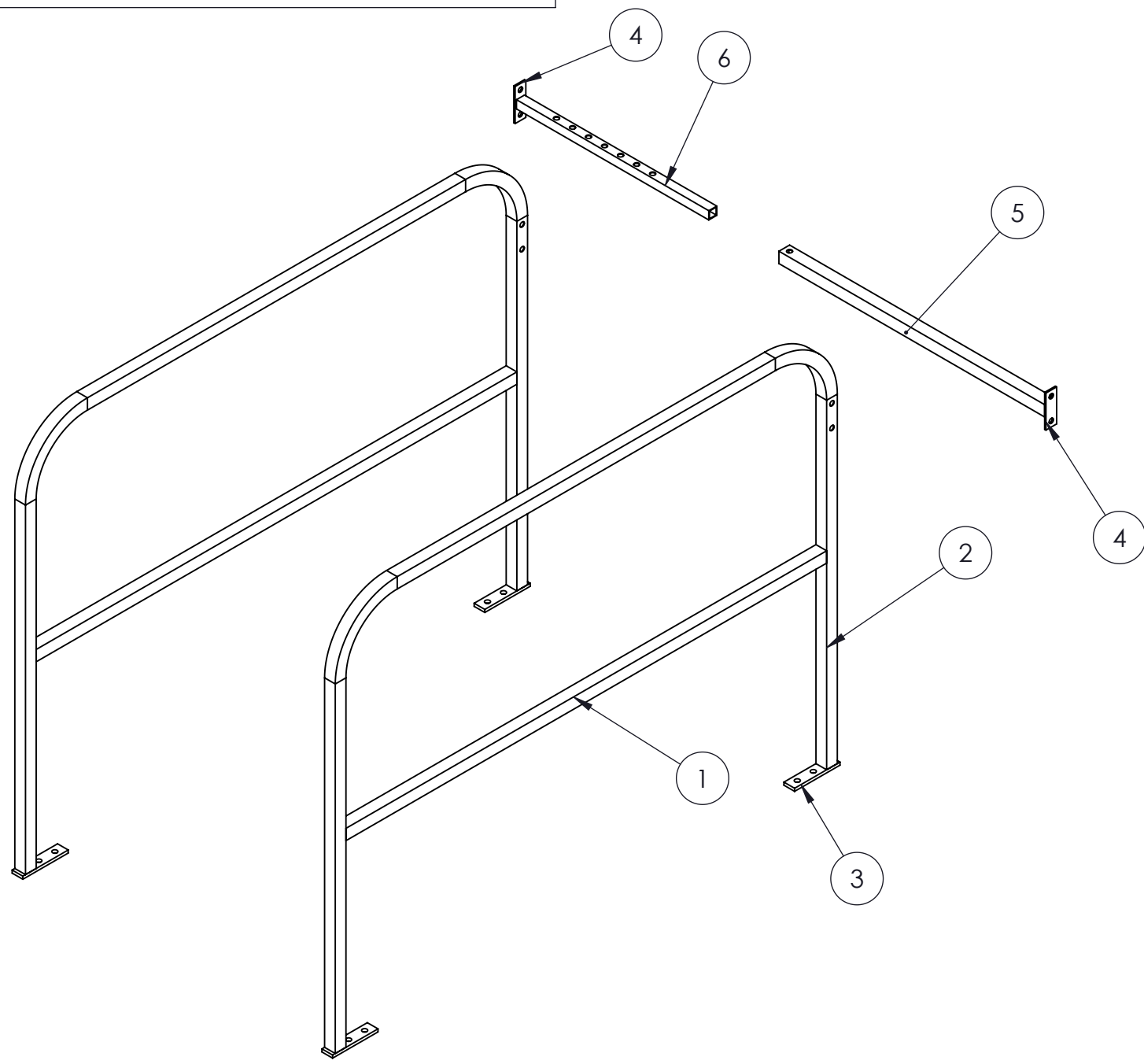
8 7 6 5 4 3 2 1

PROPRIETARY & CONFIDENTIAL

THIS DRAWING IS DISCLOSED IN CONFIDENCE AND IS PROPRIETARY TO SAFE-T-FAB. THE INFORMATION CONTAINED WITHIN IS THE PROPERTY OF SAFE-T-FAB AND SHALL NOT BE USED, DISCLOSED TO OTHERS OR REPRODUCED WITHOUT THE EXPRESSED WRITTEN CONSENT OF SAFE-T-FAB. THIS NOTICE AND ANY NOTICE SET FORTH WITHIN THE DOCUMENT SHALL APPEAR IN ANY SUCH WHOLE OR PARTIAL REPRODUCTION IF CONSENT IS GIVEN FOR REPRODUCTION OF THIS DOCUMENT IN WHOLE OR IN PART. COPYRIGHT SAFE-T-FAB, LLC 2021

ITEM NO.	QTY.	DESCRIPTION	LENGTH	ANGLE1	ANGLE2	TOTAL LENGTH
1	2	1 X 1 1/2 GA SQ Tube	45"	0°	0°	338 3/4"
2	2	1 X 1 1/2 GA SQ Tube	111 15/16"	90°	0°	338 3/4"
3	4	1" x 1/4" FLAT	4 1/4"	0°	0°	17"
4	2	1" x 1/8" FLAT	3"	0°	0°	6"
5	1	1 X 1 1/2 GA SQ Tube	24 7/8"	0°	0°	338 3/4"
6	1	.75 X .75 16 GA SQ Tube	18"	0°	0°	18"

D
C
B
A



CUSTOMER APPROVAL SIGNATURE:				WEIGHT	FINISH	LEAD TIME		
APPROVAL DATE:				25.37		TBD		
UNLESS OTHERWISE SPECIFIED:				MATERIAL	Plain Carbon Steel			TITLE
DIMENSIONS ARE IN INCHES				DESIGNER	G.A.H.			VSALE - Side Rail
1 PL +/- .3	2 PL +/- .25	3 PL +/- .250	ANGLES +/- 2°	ENGINEER			DRAWING VSALE - Side Rail	
				SCALE: 1:24		SIZE B	REV 00	PROJECT
								SHEET 3 OF 4

8 7 6 5 4 3 2 1

8 7 6 5 4 3 2 1

PROPRIETARY & CONFIDENTIAL

THIS DRAWING IS DISCLOSED IN CONFIDENCE AND IS PROPRIETARY TO SAFE-T-FAB. THE INFORMATION CONTAINED WITHIN IS THE PROPERTY OF SAFE-T-FAB AND SHALL NOT BE USED, DISCLOSED TO OTHERS OR REPRODUCED WITHOUT THE EXPRESSED WRITTEN CONSENT OF SAFE-T-FAB. THIS NOTICE AND ANY NOTICE SET FORTH WITHIN THE DOCUMENT SHALL APPEAR IN ANY SUCH WHOLE OR PARTIAL REPRODUCTION IF CONSENT IS GIVEN FOR REPRODUCTION OF THIS DOCUMENT IN WHOLE OR IN PART. COPYRIGHT SAFE-T-FAB, LLC 2021

D

D

C

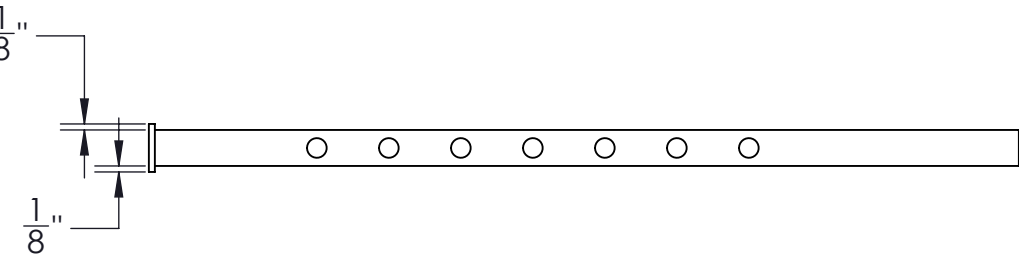
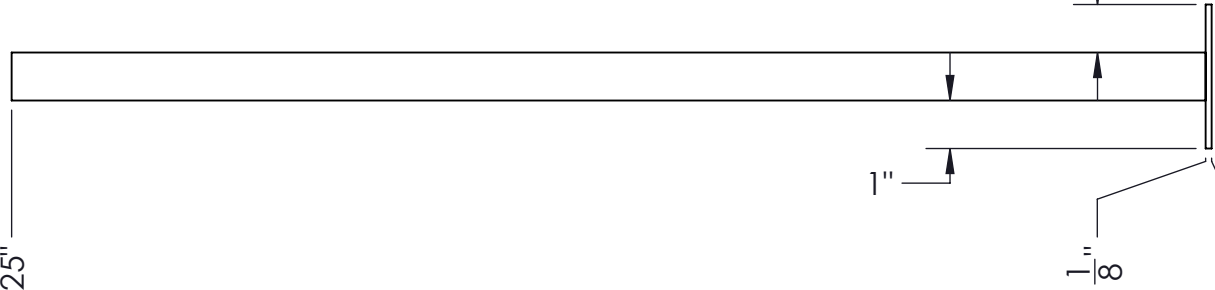
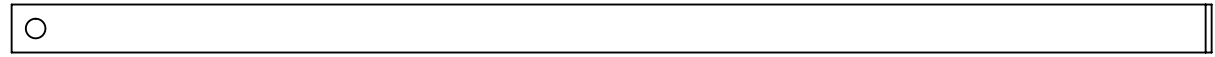
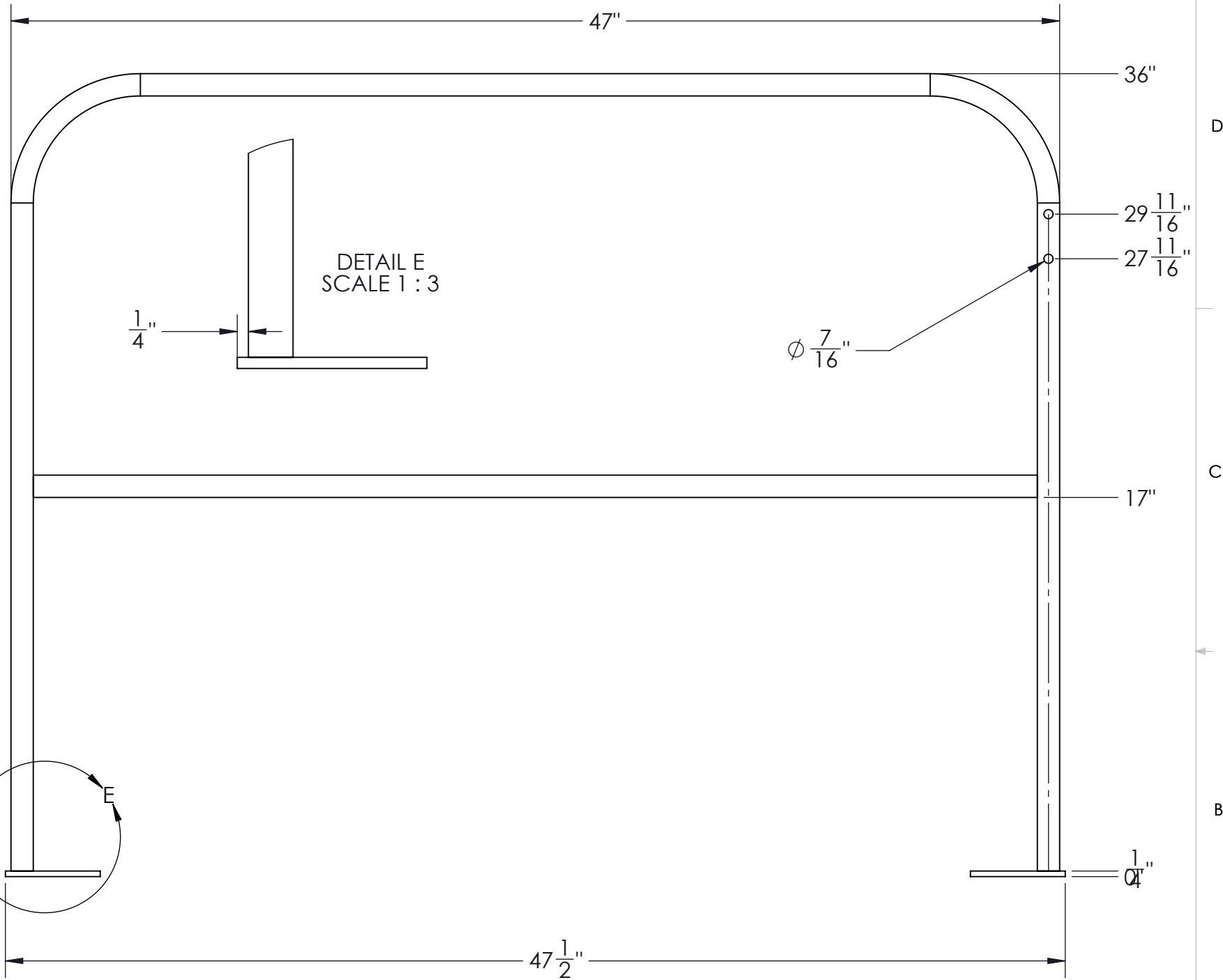
C

B

B

A

A



CUSTOMER APPROVAL SIGNATURE:				WEIGHT	FINISH	LEAD TIME
APPROVAL DATE:				25.37		TBD
UNLESS OTHERWISE SPECIFIED:				MATERIAL	Plain Carbon Steel	
DIMENSIONS ARE IN INCHES				DESIGNER	G.A.H.	
1 PL +/- .3	2 PL +/- .25	3 PL +/- .250	ANGLES +/- 2°	ENGINEER		



TITLE			DRAWING		
VSALE - Side Rail			VSALE - Side Rail		
PROJECT			PROJECT		
SCALE: 1:24	SIZE B	REV 00	SHEET 4 OF 4		

8 7 6 5 4 3 2 1